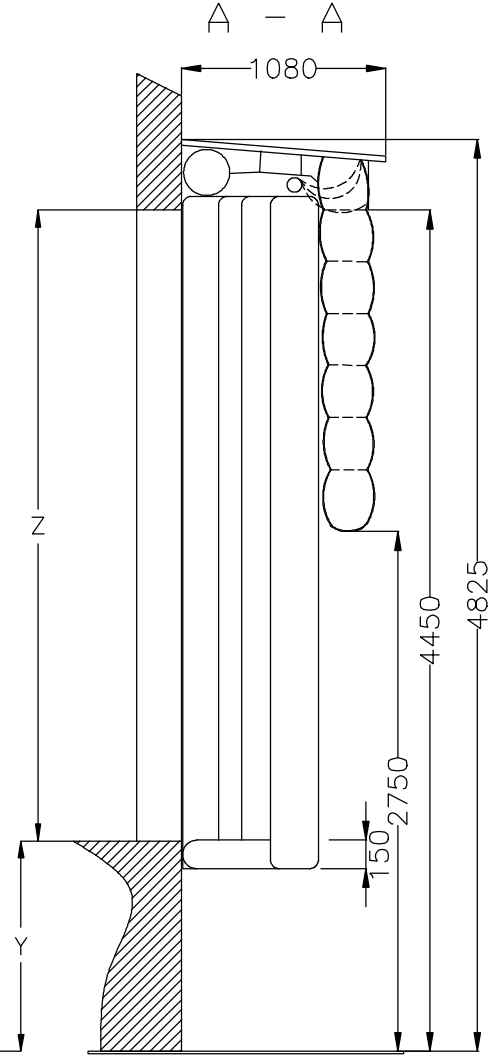
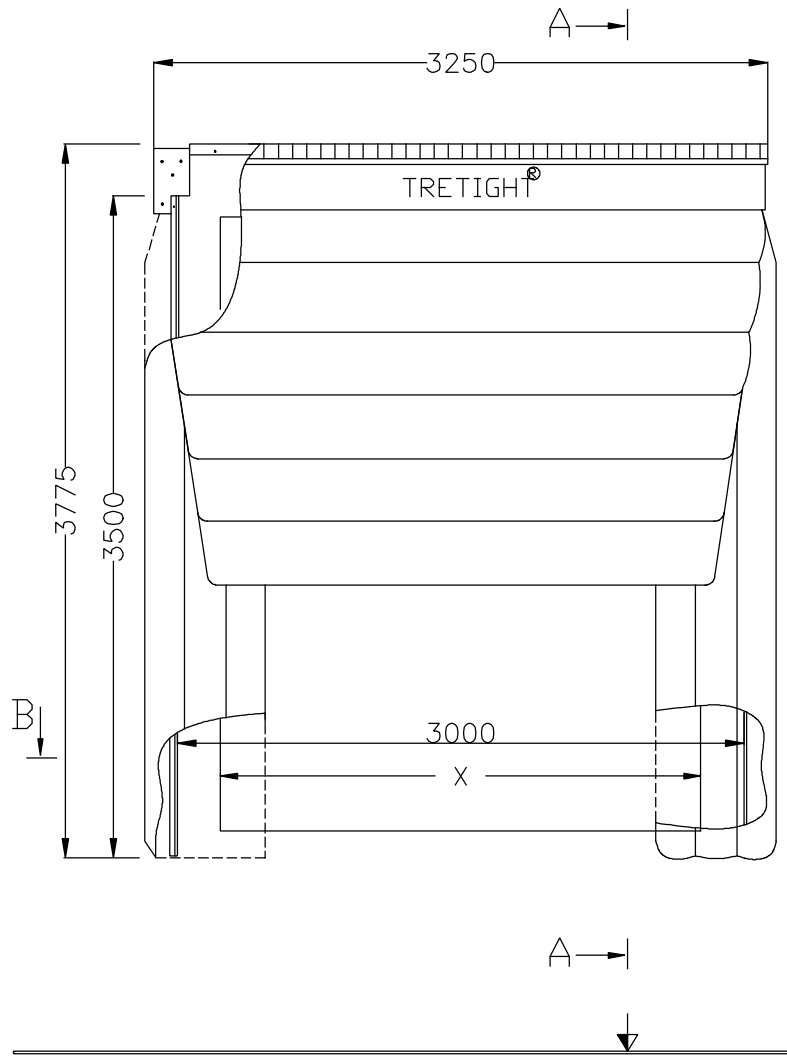
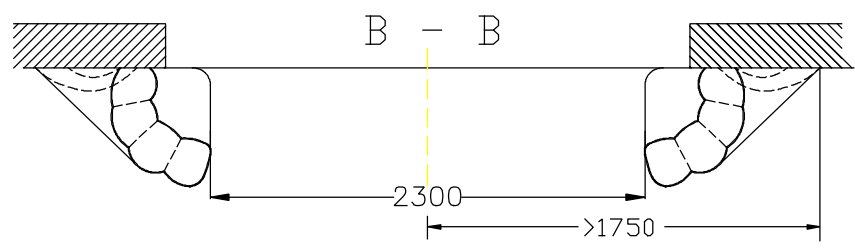


RevNo	Revision note	Date	Signature	Checked
1				



Y = 1200  
X < 3000  
Z < 3350



Sheet	Description			Art.no._	
Designed by LSN_TPPAB	Checked by LSN	Approved by - date LSN	Filename TPP	Date LSN_2012-01-02	Scale 1:40
<b>ANSELL</b> Protective Solutions AB			TRETIGHT_1700S		
			6-4-363035-42	Edition A	Sheet 1/1